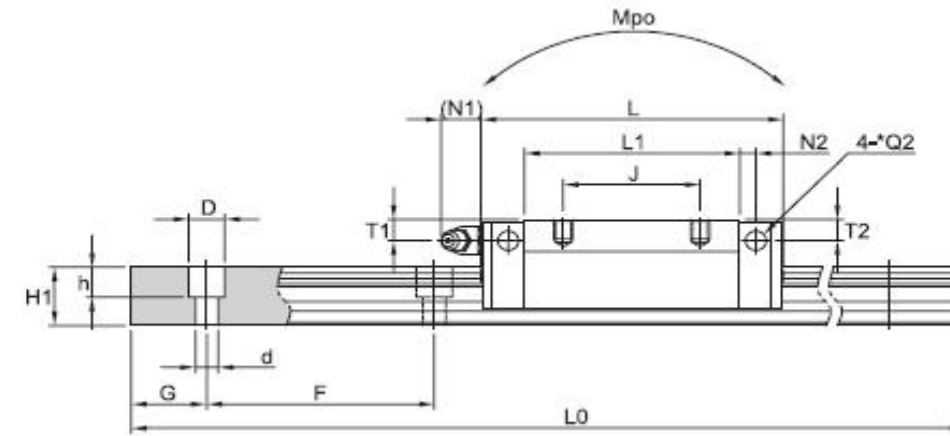
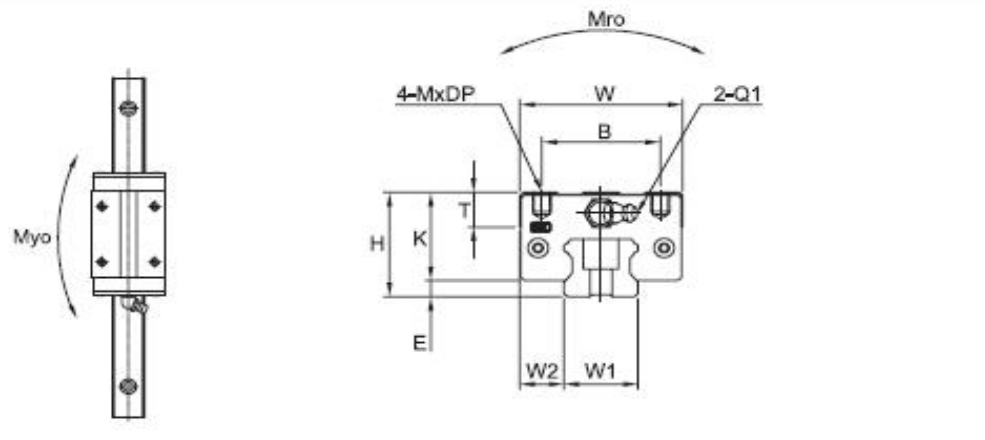


SBI Series Linear Rail Systems



SBI-SL/SLL

Model	Mounting Dimension				Block dimensions												
	H	W	L	E	Mounting tap hole				L1	T±1	K	Grease fitting					
					B	J	M	DP				T1	N1	T2	N2	Q1	*Q2
SBI15 SL	28	34	63.8	3	26	26	M4	5	45.2	10	25	8.5	5.5	7.8	3.8	M4x0.7	ø4
SBI15 SLL	28	34	79.4	3	26	34	M4	5	60.8	10	25	8.5	5.5	7.8	3.8	M4x0.7	ø4
SBI20 SL	30	44	78.8	4.6	32	36	M5	5	56.8	10	25.4	6	11.7	5.8	5	M6x0.75	ø4
SBI20 SLL	30	44	96.4	4.6	32	50	M5	5	74.4	10	25.4	6	11.7	5.8	5	M6x0.75	ø4
SBI25 SL	40	48	92	5.5	35	35	M6	8	70	16	34.5	10	11.7	9	5	M6x0.75	ø4
SBI25 SLL	40	48	108	5.5	35	50	M6	8	86	16	34.5	10	11.7	9	5	M6x0.75	ø4
SBI30 SL	45	60	107.6	7	40	40	M8	10	79.6	12	38	11.5	11.7	11	5	M6x0.75	ø6
SBI30 SLL	45	60	131.6	7	40	60	M8	10	103.6	12	38	11.5	11.7	11	5	M6x0.75	ø6
SBI35 SL	55	70	124.6	7.5	50	50	M8	10	94.6	15	47.5	15	11.7	15	6	M6x0.75	ø6
SBI35 SLL	55	70	152.6	7.5	50	72	M8	10	122.6	15	47.5	15	11.7	15	6	M6x0.75	ø6
SBI45 SL	70	86	142	9	60	60	M10	13	108	17	61	20.5	13.5	19	6.5	PT1/8	PT1/8
SBI45 SLL	70	86	174	9	60	80	M10	13	140	17	61	20.5	13.5	19	6.5	PT1/8	PT1/8
SBI55 SL	80	100	172.4	12	75	75	M12	18	131	21	68	22	13	22	8	PT1/8	PT1/8
SBI55 SLL	80	100	211.8	12	75	95	M12	18	170.4	21	68	22	13	22	8	PT1/8	PT1/8
SBI65 SL	90	126	219.8	19	76	70	M16	16	170.4	26	71	14	13	14	10	PT1/8	PT1/8
SBI65 SLL	90	126	272.2	19	76	120	M16	16	222.8	26	71	14	13	14	10	PT1/8	PT1/8

Model	Rail Dimension									Basic Load Rating [KN]		Permissible Static Moment [KN.m]			Mass	
	W1	W2	H1	F	Bolt Hole			G	Max Length of rail LO	C	Co	Mro	Mpo	Myo	Block [kg]	Rail [kg/m]
					d	D	h									
SBI15 SL	15	9.5	13	60	4.5	7.5	5.5	20	3000	14.1	24.1	0.16	0.17	0.17	0.19	1.3
SBI15 SLL	15	9.5	13	60	4.5	7.5	5.5	20	4000	17.1	31.7	0.21	0.29	0.29	0.26	1.3
SBI20 SL	20	12	16.5	60	6	9.5	8.5	20	4000	22.2	38.2	0.36	0.33	0.33	0.41	2.2
SBI20 SLL	20	12	16.5	60	6	9.5	8.5	20	4000	27.9	50	0.47	0.56	0.56	0.54	2.2
SBI25 SL	23	12.5	20	60	7	11	9	20	4000	31.5	52.1	0.56	0.56	0.56	0.69	3
SBI25 SLL	23	12.5	20	60	7	11	9	20	4000	36.7	64.4	0.69	0.84	0.84	0.85	3
SBI30 SL	28	16	23	80	9	14	12	20	4000	42.8	65.4	0.85	0.77	0.77	1.04	4.25
SBI30 SLL	28	16	23	80	9	14	12	20	4000	51.3	84.7	1.1	1.3	1.3	1.37	4.25
SBI35 SL	34	18	26	80	9	14	12	20	4000	59.5	89.1	1.42	1.28	1.28	1.56	6.02
SBI35 SLL	34	18	26	80	9	14	12	20	4000	71.3	115.3	1.83	2.12	2.12	2.04	6.02
SBI45 SL	45	20	32	105	14	20	17	22.5	4000	79.2	116.3	2.48	1.9	1.9	2.8	9.77
SBI45 SLL	45	20	32	105	14	20	17	22.5	4000	94.8	150.5	3.21	3.14	3.14	3.69	9.77
SBI55 SL	53	22.5	38	120	16	23	20	30	4000	127.3	181.8	4.81	2.97	2.97	4.42	13.72
SBI55 SLL	53	22.5	38	120	16	23	20	30	4000	147.9	224.5	5.95	4.78	4.78	5.82	13.72
SBI65 SL	63	31.5	53	150	18	26	22	35	4000	188.3	261.7	8.24	5.57	5.57	9.1	23.17
SBI65 SLL	63	31.5	53	150	18	26	22	35	4000	232.5	354.1	11.15	9.86	9.86	11.98	23.17