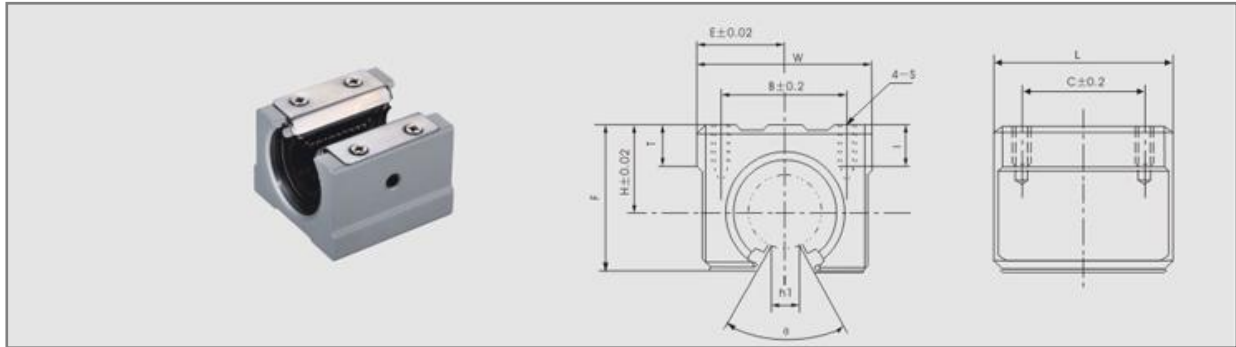


# SME Standard Type

## LM Series Open Case Unit



| Model No. | Shaft Diameter | Main Dimensions |      |     |     |      |    |      |     |     | Mounting Dimensions |    |     |    | Basic Load Rating |                 | Weight (Kg) |
|-----------|----------------|-----------------|------|-----|-----|------|----|------|-----|-----|---------------------|----|-----|----|-------------------|-----------------|-------------|
|           |                | H               | E    | W   | L   | F    | T  | h1   | Θ   |     | B                   | C  | S   | I  | Dynamic C (kgf)   | Static Co (kgf) |             |
|           |                |                 |      |     |     |      |    |      | SME | KBE |                     |    |     |    |                   |                 |             |
| SME10     | 10             | 15              | 18   | 36  | 32  | 24   | 7  | 6    | 80° | 80° | 25                  | 20 | M5  | 10 | 38                | 56              | 0.065       |
| SME12     | 12             | 17              | 20   | 40  | 39  | 27.6 | 8  | 8.5  | 80° | 80° | 28                  | 26 | M5  | 10 | 42                | 61              | 0.100       |
| SME13     | 13             | 17              | 20   | 40  | 39  | 27.6 | 8  | 8.5  | 80° |     | 28                  | 26 | M5  | 10 | 52                | 80              | 0.100       |
| SME16     | 16             | 20              | 22.5 | 45  | 45  | 33   | 9  | 10   | 80° | 80° | 32                  | 30 | M5  | 12 | 59                | 91              | 0.150       |
| SME20     | 20             | 23              | 24   | 48  | 50  | 39   | 11 | 10   | 60° | 60° | 35                  | 35 | M6  | 12 | 88                | 140             | 0.200       |
| SME25     | 25             | 27              | 30   | 60  | 65  | 47   | 14 | 11.5 | 50° | 60° | 40                  | 40 | M6  | 12 | 100               | 160             | 0.450       |
| SME30     | 30             | 33              | 35   | 70  | 70  | 56   | 15 | 14   | 50° | 60° | 50                  | 50 | M8  | 18 | 160               | 280             | 0.630       |
| SME35     | 35             | 37              | 40   | 80  | 80  | 63   | 18 | 16   | 50° |     | 55                  | 55 | M8  | 18 | 170               | 320             | 0.920       |
| SME40     | 40             | 42              | 45   | 90  | 90  | 72   | 20 | 19   | 50° | 60° | 65                  | 65 | M10 | 20 | 220               | 410             | 1.330       |
| SME50     | 50             | 53              | 60   | 120 | 110 | 92   | 25 | 23   | 50° | 60° | 94                  | 80 | M10 | 20 | 390               | 810             | 3.000       |

Annotate: SME use the LM Open Type series bearing