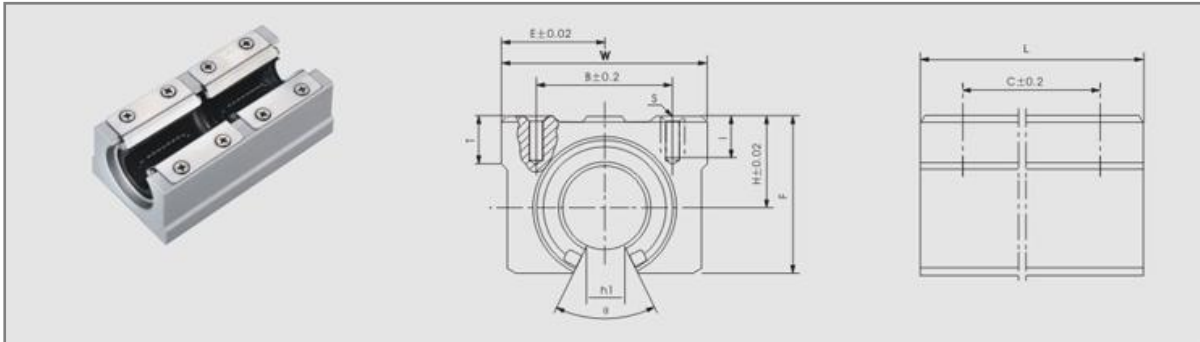


SME Long Type

LM Series Open Case Unit



Model No.	Shaft Diameter	Main Dimensions								Mounting Dimensions				Weight (Kg)
		H	E	W	L	F	T	h1	θ	B	C	S	I	
SME16L	16	20	22.5	45	85	33	9	10	80°	32	60	M5	12	0.29
SME20L	20	23	24	48	96	39	11	10	60°	35	70	M6	12	0.51
SME25L	25	27	30	60	130	47	14	11.5	50°	40	100	M6	12	0.98
SME30L	30	33	35	70	140	56	15	14	50°	50	110	M8	18	1.45
SME35L	35	37	40	80	155	63	18	16	50°	55	120	M8	18	1.80
SME40L	40	42	45	90	175	72	20	19	50°	65	140	M10	20	2.48

Annotate: SME Long Type uses two pieces of LM Open Type series bearing