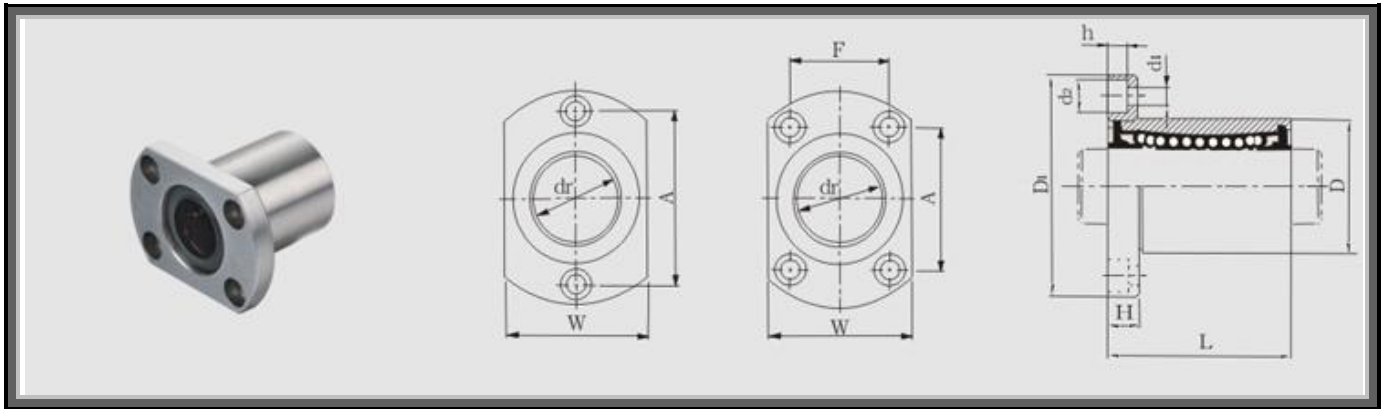


LMH Oval Type Linear Bearing



Model No.	Number Of Ball Rows	Main Dimensions															Squareness	Eccentricity (Max.)	Basic Load Rating		Weight (Kg)
		Inscribed Circle Diameter		Outer Diameter		Length		Range					Hole For Attachment			Dynamic (kgf)			Stattic Co (kgf)		
		dr	Tolerance	D	Tolerance	L	Tolerance	D1	W	H	A	F	d1	d2	h						
LMH6	4	6	0	12	0	19	0	28	18	5	20	3.5	6	3.1	0.012	0.012	21	27	0.019		
LMH8	4	8		15	-0.011	24		32	21	5	24	3.5	6	3.1			27	41	0.029		
LMH10	4	10		19	0	29		40	25	6	29	4.5	7.5	4.1			38	56	0.054		
LMH12	4	12		21	0	30		42	27	6	32	4.5	7.5	4.1			42	61	0.058		
LMH13	4	13		23	-0.013	32		43	29	6	33	4.5	7.5	4.1			52	79	0.072		
LMH16	5	16		28	0	37		48	34	6	31	22	4.5	7.5			4.1	79	120	0.109	
LMH20	5	20	32	0	42	54	38	8	36	24	5.5	9	5.1	0.015	0.015	88	140	0.135			
LMH25	6	25	40	0	59	62	46	8	40	32	5.5	9	5.1			100	160	0.28			
LMH30	6	30	45	-0.010	64	74	51	10	49	35	6.6	11	6.1			160	280	0.35			
LMH35	6	35	52	0	70	82	60	10	55	38	6.6	11	6.1	0.020	0.020	170	320	0.524			
LMH40	6	40	60	-0.012	80	96	70	13	64	45	9	14	8.1			220	410	0.836			